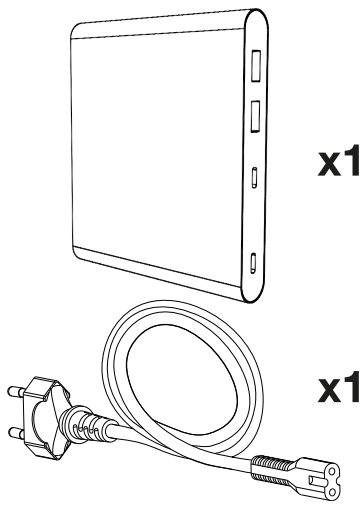


# Charger 2x USB-C & 2 x USB-A PD QC3.0 120 W ■ 935-PUSBC-120


- A** - Combined with one power grommet (see article number)
- B** - Combined with multiple power grommets (see article number)

**CONTENT:**

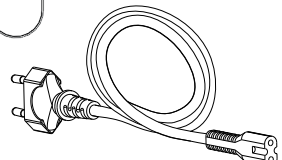


**x1**

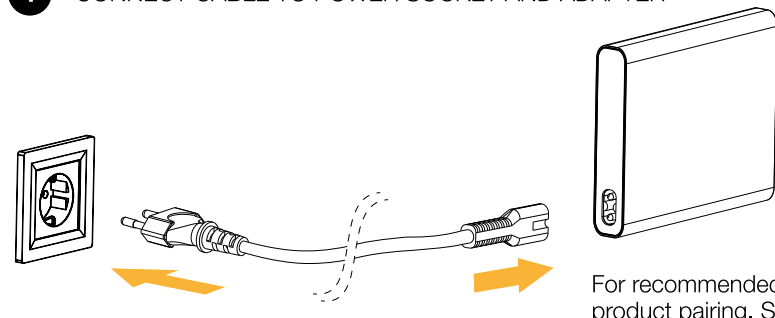
**x1**



- 1 **USB-A Charger**  
QC3.0  
3A  $\approx$  3A, 9V  $\approx$  2A,  
12V  $\approx$  1.5A,
- 2 **USB-C Charger**  
PD3/QC4+  
5V  $\approx$  3A, 9V  $\approx$  3A,  
12V  $\approx$  3A, 15V  $\approx$  3A,  
20V  $\approx$  5A,
- 1 **Europlug cable**  
500 mm



**1** CONNECT CABLE TO POWER SOCKET AND ADAPTER

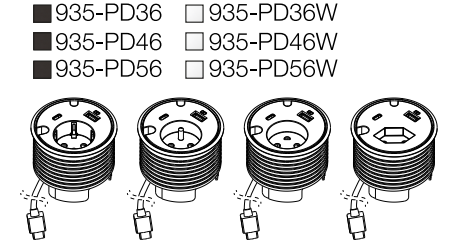


For recommended product pairing. See **i**

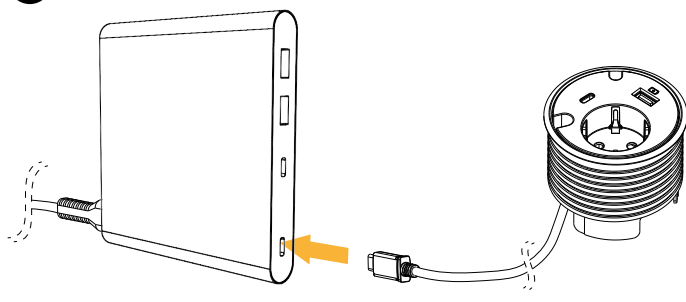
**i** PRODUCT PAIRING

POWERDOT:  935-PD16  935-PD16W  
 935-PD36  935-PD36W  
 935-PD46  935-PD46W  
 935-PD56  935-PD56W

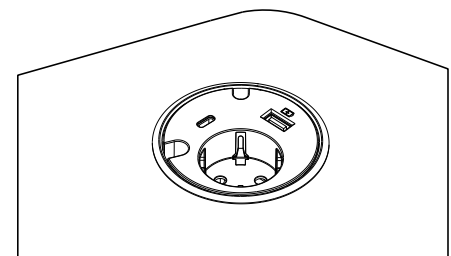
OR  OCHNO-SOCKET: 930-ODO100



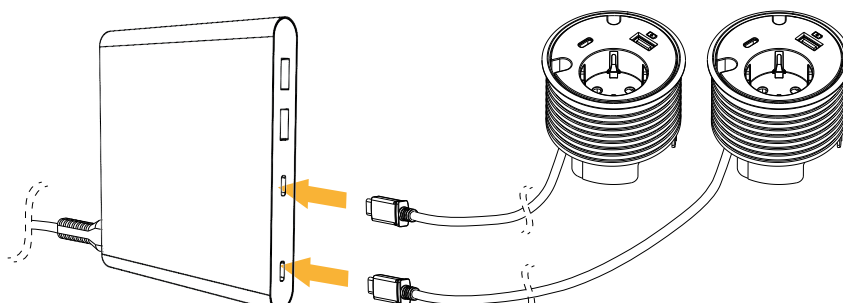
**A1** CONNECT USB-C CABLE TO POWERDOT



**A2** READY TO BE USED  
Charge laptops, smartphones, etc



**B1** CONNECT USB-C CABLE TO 2x POWERDOT OR 2x OCHNO-SOCKET



**B2** READY TO BE USED  
Charge laptops, smartphones, etc

