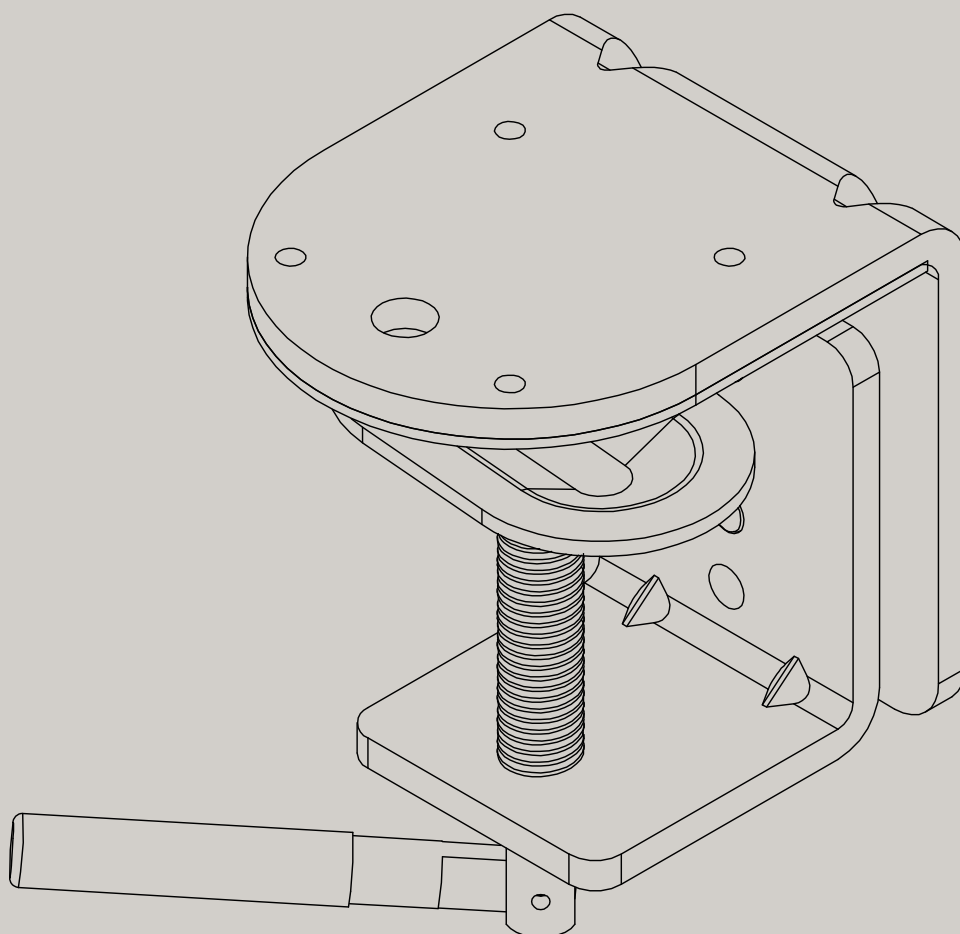
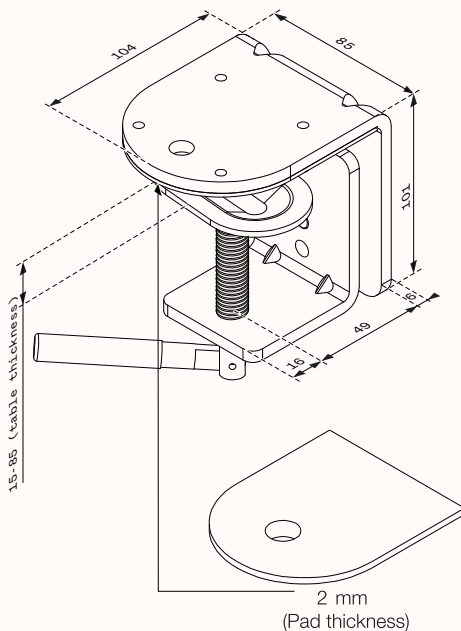


# HOLD CLAMP<sup>01</sup>



# Dimensions

See user manual for assembly instructions.



# HOLD CLAMP<sup>01</sup>

TABLE CLAMP, < 85 MM, BLACK/WHITE/SILVER

**ART. NO**

- 4002000309 BLACK
- 4002000301 WHITE
- 4002000302 SILVER

# Technical data

MATERIAL	STEEL
MAXIMUM TABLE-TOP THICKNESS	85mm
MINIMAL TABLE-TOP THICKNESS	15mm
COLOUR	BLACK RAL 9005, WHITE RAL 9016, SILVER
FINISH	BLACK/WHITE-MATTE, SILVER-METALLIC
LENGHT	105mm
WIDTH	85mm