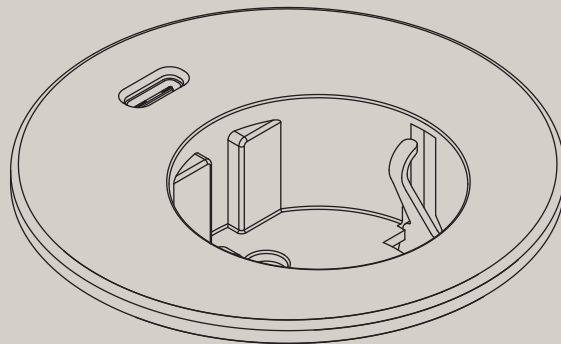
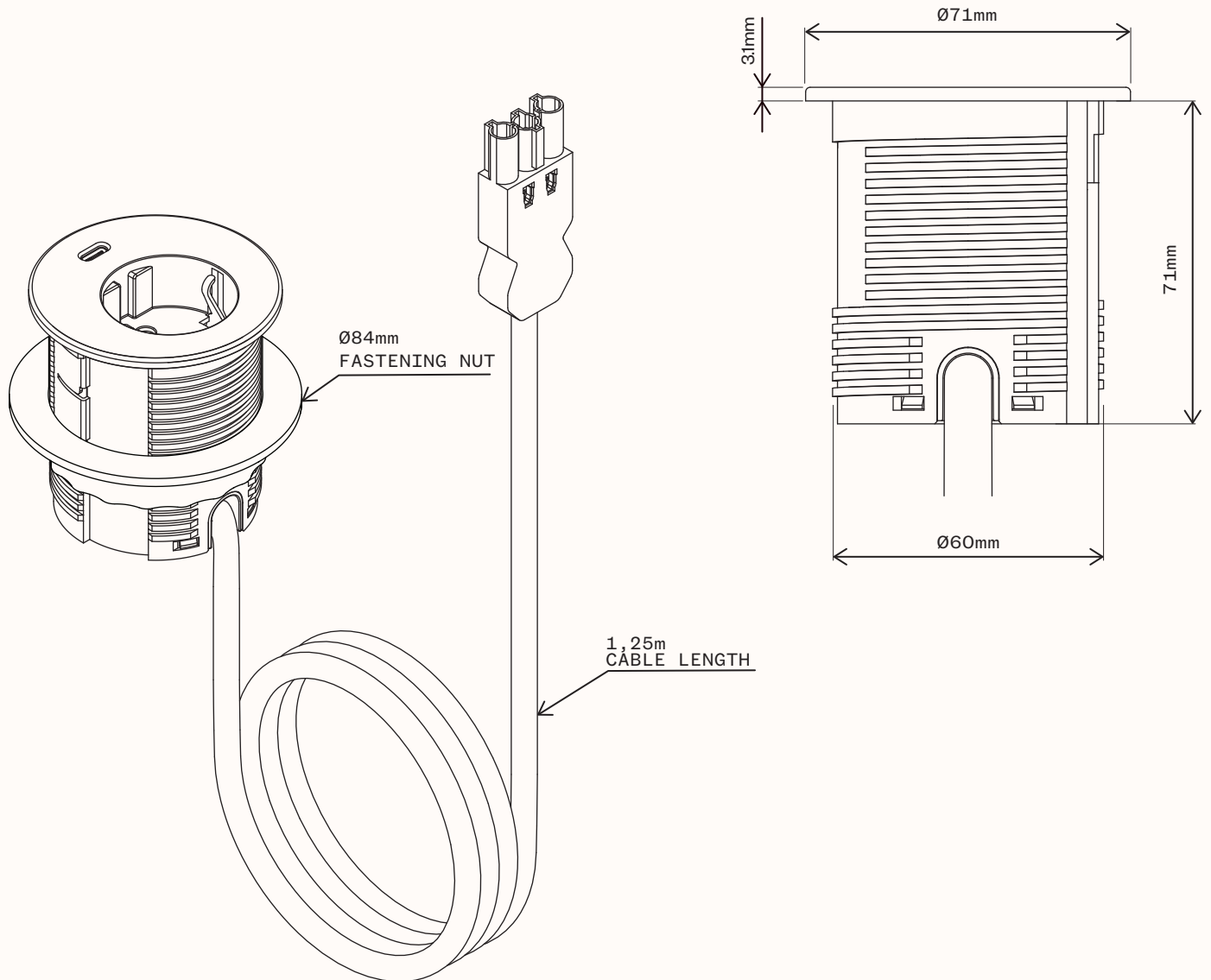


# POWERDOT COMPACT<sup>62</sup>



# Dimensions

See user manual for assembly instructions



# POWERDOT COMPACT<sup>62</sup>

1 SOCKET TYPE F, 1 USB-C CHARGER 30W, 3PC, BLACK/WHITE

**ART. NO**

9356056209      BLACK  
 9356056201      WHITE

## Technical data

INTERFACE	1 SOCKET TYPE F, 1 USB-C CHARGER
RATED VOLTAGE	250V
RATED CURRENT	16A
OUTPUT W MAX	3500W (TYPE F SOCKET)
USB CHARGER SPECIFICATION	USB-C PD 3.0
USB CHARGER OUTPUT MAX	30W
USB CHARGER OUTPUT	5V 3A / 9V 2,5A / 12V 2,5A / 15V 2A / 20V 1,5A
CABLE & CONNECTOR	3x1,5mm <sup>2</sup> 1,25m (3PC)
MATERIAL	POLYAMIDE
FINISH	MATTE
PROTECTION CLASS	IP20
INSTALLATION HOLE SIZE	Ø60mm
HEIGHT	75mm
DIAMETER TOP	Ø71mm
MAX TABLE THICKNESS	50mm
CERTIFICATIONS	CE, RoHS COMPLIANT

# Read before installation and usage

---



Do not cover

Electrical products may only be daisy-chained if integrated into a fixed installation. Normal power sockets may not be used for the connection to further socket rails.



Incorrect installation may endanger:

- Safety of the installer
  - Safety of the end-user and safety of the property.
- Incorrect installation may result in personal liability for damage of property or injury to persons.



Electronic equipment is recyclable and should not be disposed of with household waste, if the device has reached the end of its life, dispose of at the recycling points in accordance with local regulations. Disposal with household waste is prohibited



The device may only be used in a dry indoor environment.

**For safe installation please ensure the following:**

- The 5 safety rules to apply: Disconnect mains; Prevent reconnection; Test for absence of harmful voltages; Ground and short circuits; Cover or close off nearby live parts;
- Choose proper tools, measuring devices and personal protective equipment
- Analyse measured results
- Selection of electrical installation material to ensure switch-off conditions
- IP protection ratings
- Fitting of electrical installation material;
- Type of the feeding system (TN system, IT system, TT system...) and the resulting switching conditions (classic zeroing, protective earthing, necessary additional measures, etc.).



**RoHS**  
Compliant