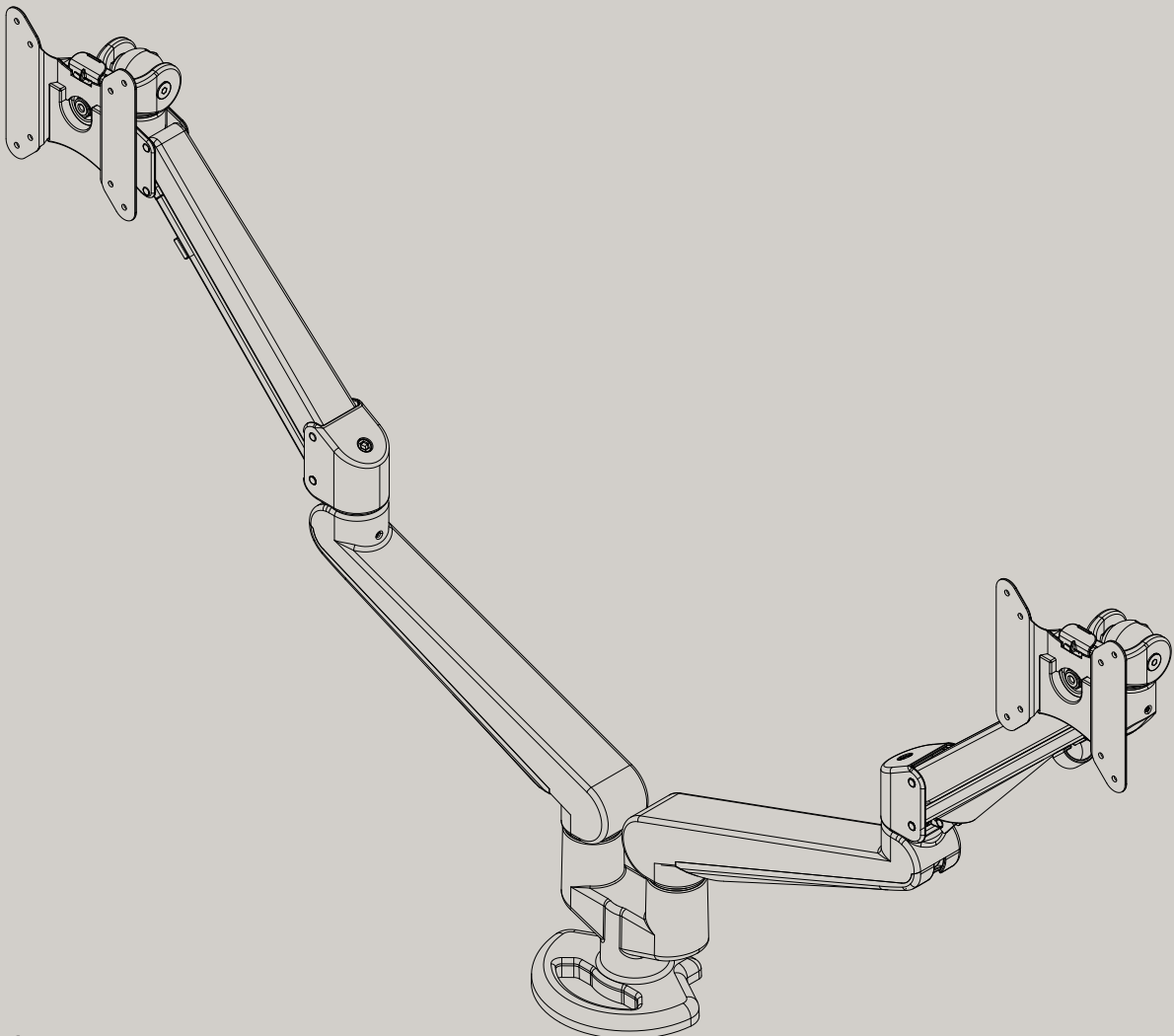
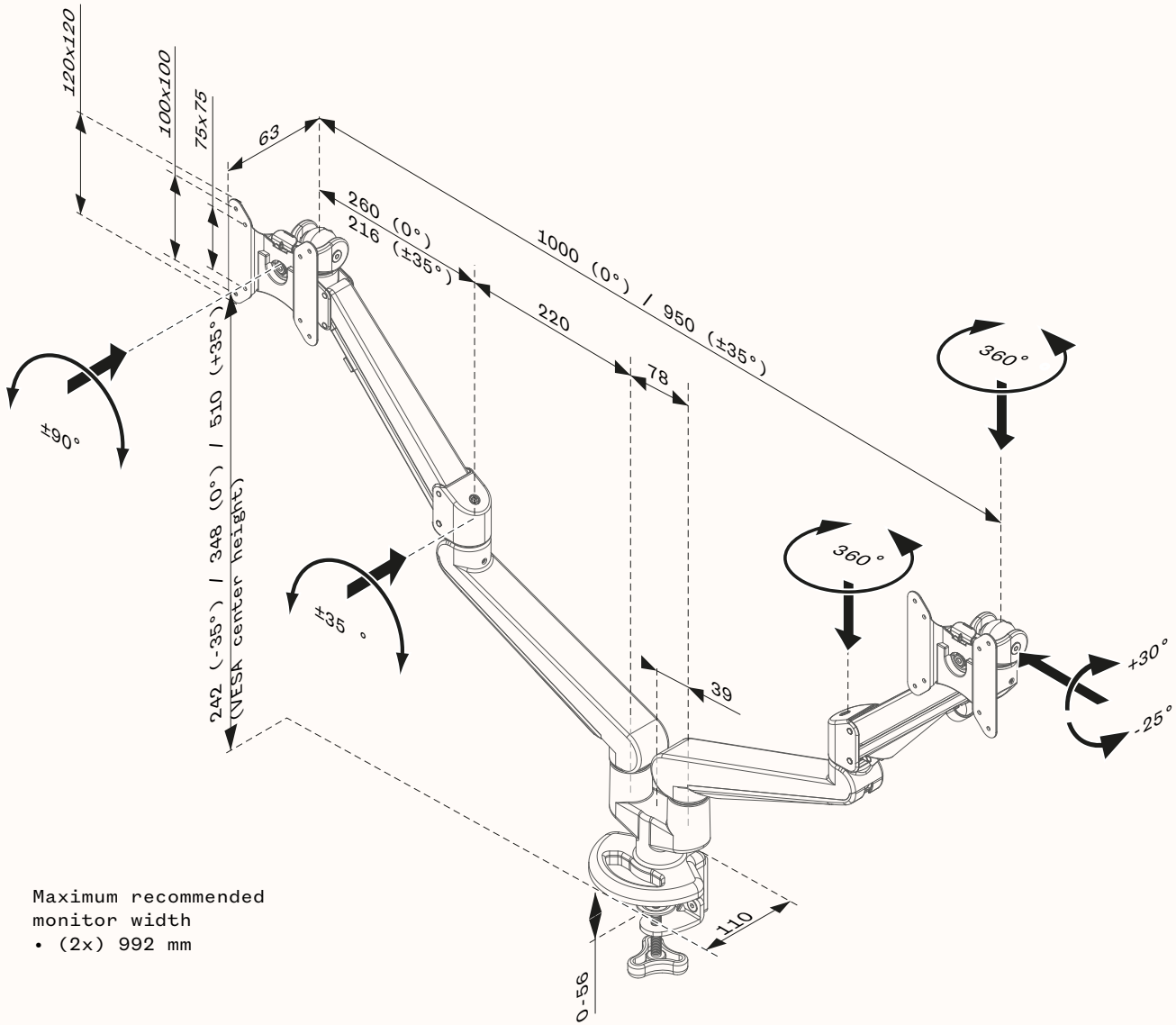


ELEVATE DUAL MONITOR ARM⁵²



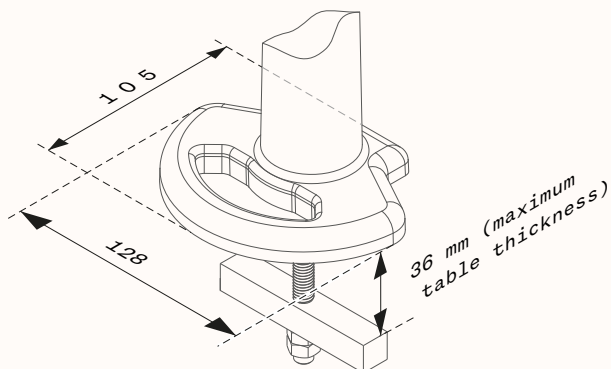
Dimensions

See user manual for assembly instructions.



Maximum recommended monitor width
 • (2x) 992 mm

Alternative grommet clamp



Range for table thickness
 • 16-50.8 mm (regular clamp)
 • 0-36 mm (grommet clamp)

ELEVATE DUAL MONITOR ARM⁵²

3-8 KG, GAS SPRING, BLACK/WHITE/SILVER

ART. NO

4385505209	BLACK
4385505201	WHITE
4385505202	SILVER

Technical data

MATERIAL	STEEL
COLOUR	BLACK RAL 9005, WHITE RAL 9016, SILVER
FINISH	BLACK/WHITE-MATTE, SILVER-METALLIC
MAXIMUM ARM LENGTH	486mm
MAX LOAD	3-8kg
VESA	75/100
MAX TABLE THICKNESS	16-50.8mm