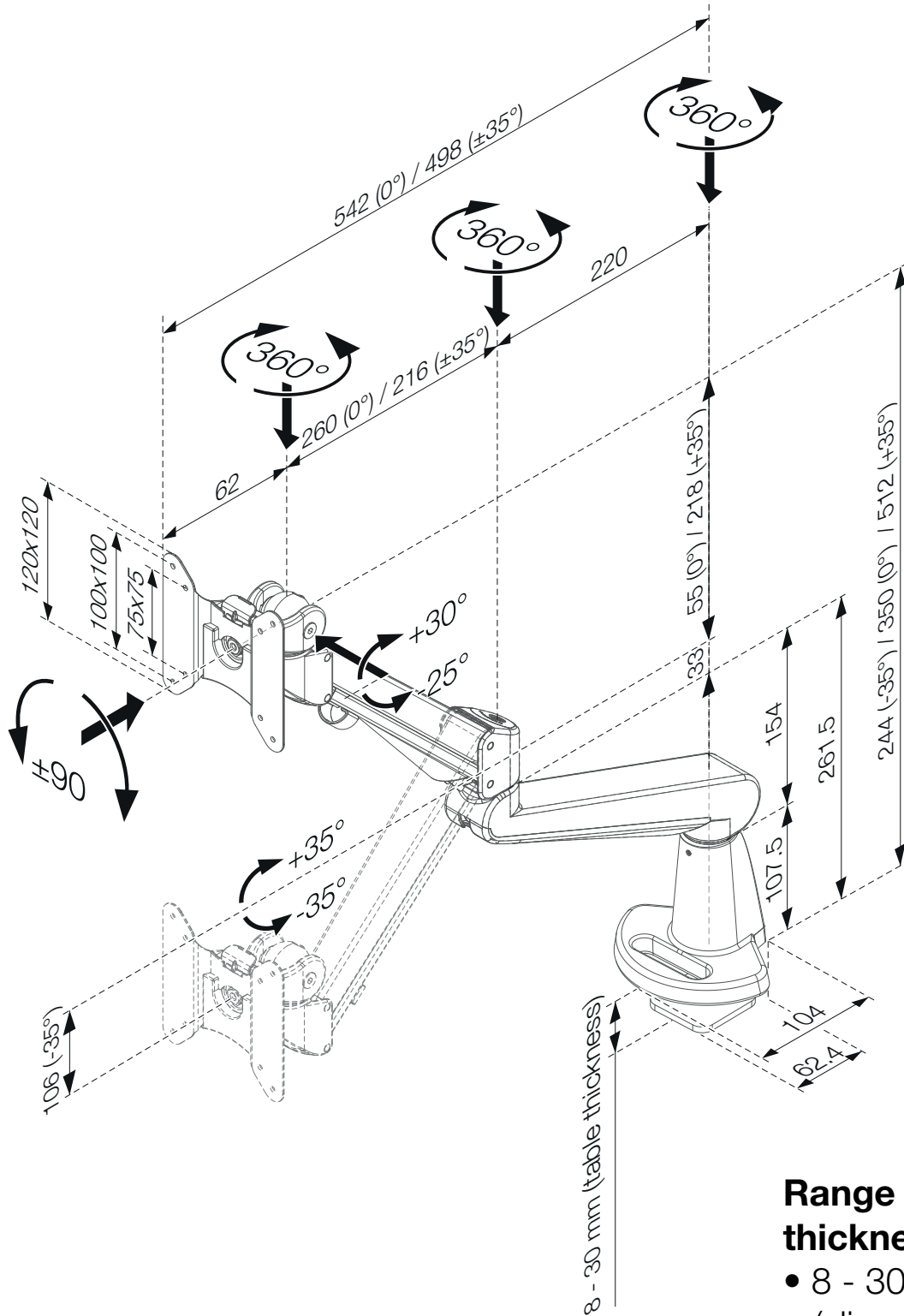




- 438-LC50
- 438-LC50W
- 438-LC50B

Monitor Arm STOCKHOLM 3-8 kg, Gas Spring

Oriented View



Range for table thickness

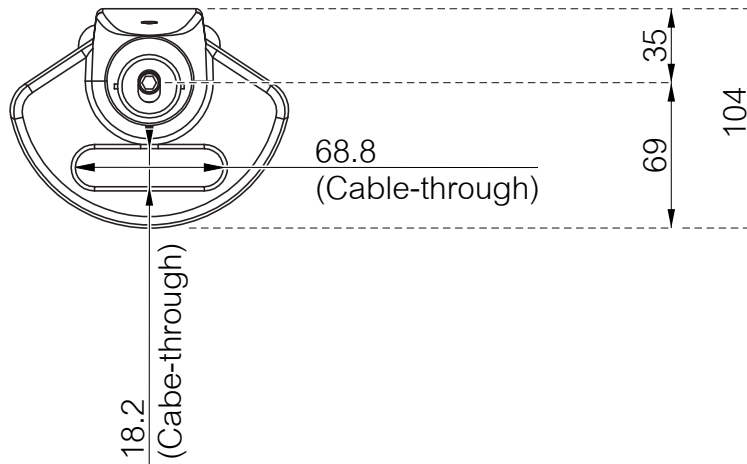
- 8 - 30 mm (slim clamp)



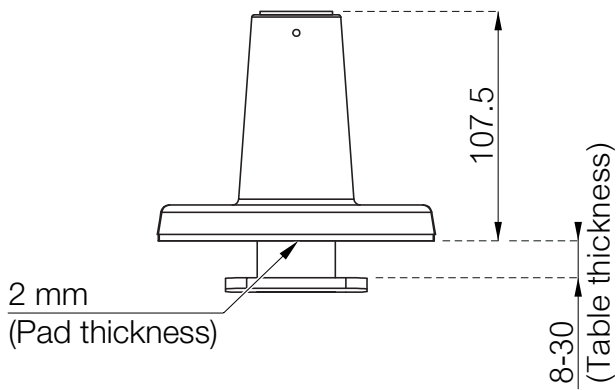
- 438-LC50
- 438-LC50W
- 438-LC50B

Monitor Arm STOCKHOLM 3-8 kg, Gas Spring

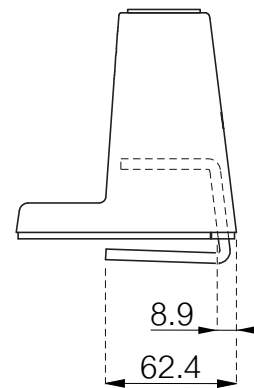
Top view



Front view



Side view



Bottom view

