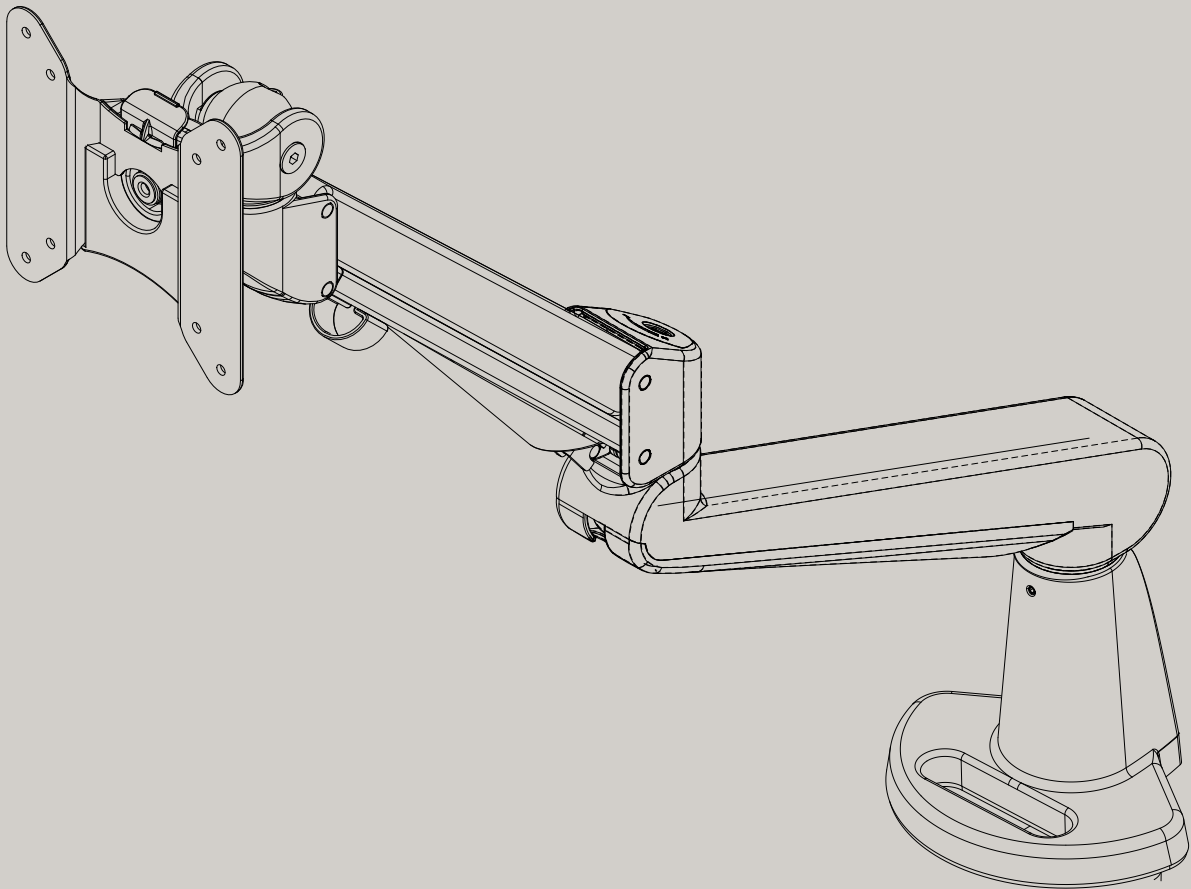
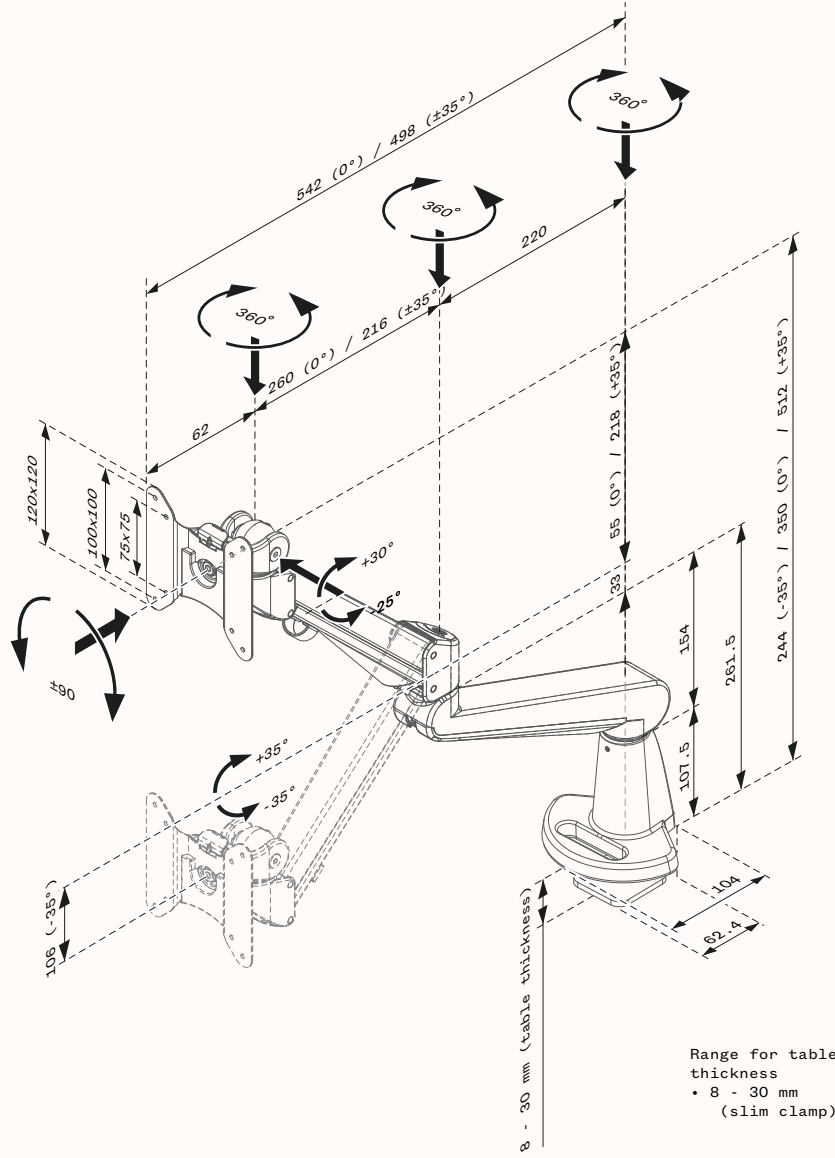


ELEVATE MONITOR ARM⁵⁰

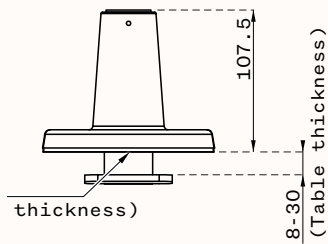


Dimensions

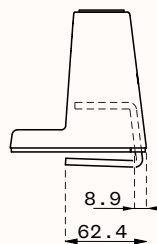
See user manual for assembly instructions.



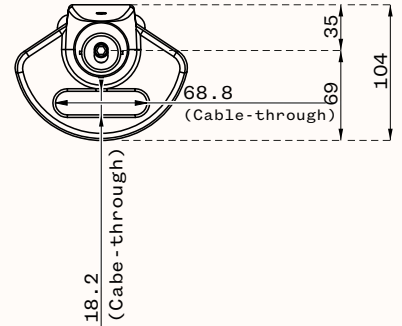
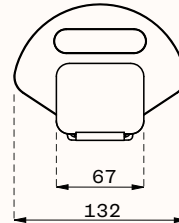
Top view



Side view



Bottom view



ELEVATE MONITOR ARM⁵⁰

3-8 KG, GAS SPRING, BLACK/WHITE/SILVER

ART. NO

4385505002	BLACK
4385505009	WHITE
4385505001	SILVER

Technical data

MATERIAL	STEEL
COLOUR	BLACK RAL 9005, WHITE RAL 9016, SILVER
FINISH	BLACK/WHITE-MATTE, SILVER-METALLIC
MAXIMUM ARM LENGTH	486mm
MAX LOAD	3-8kg
VESA	75/100
MAX TABLE THICKNESS	8-31mm