

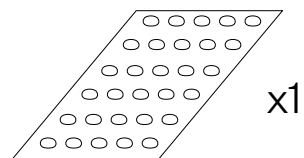
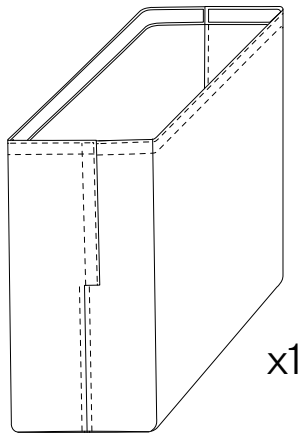
User manual

9882600139/9882600339

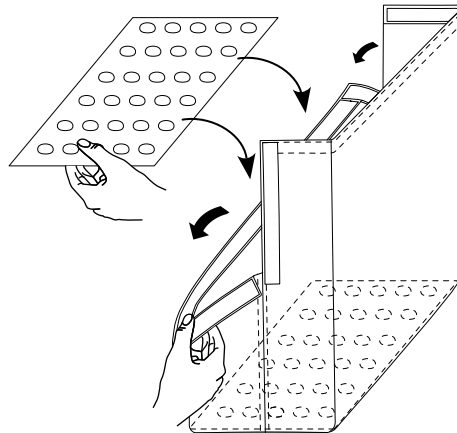
Axessline Cable Cover

Woven bag, including bottom plate

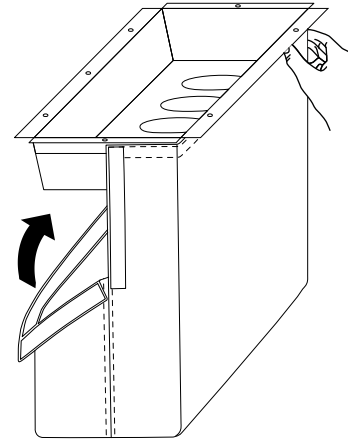
CONTENT:



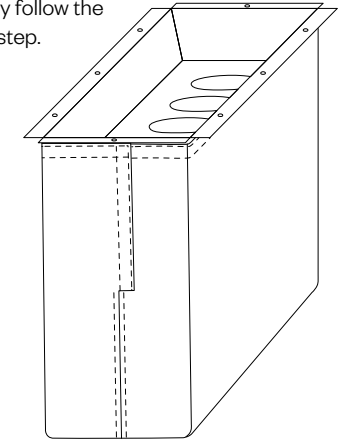
- 1** INSERT SHEET
Insert sheet metal into the bottom of the bag and position well.



- 2** HOOK THE BAG TO THE TRAY
Start hooking the bag from the middle of the short side work your way around.



- 3** RESULT
The product is now fully installed.
If changes need to be made,
simply follow the
next step.



- ADJUSTING AND CHANGES
If a change needs to be made, simply
open the bag up from the middle by
unhooking the velcro
and unhook one
side of the bag.

